

COMPACT FLAT ROOF EDGE PROTECTION

Layher® 

More Possibilities. The Scaffolding System.

The Layher compact roof edge protection system is designed to prevent the risk of falling from a flat roof while performing work. It is designed to minimise the amount of space it takes up on a roof. The space is only a strip of 0.80 m, so the roof can be used to the maximum for installing solar panels or other installations. When correctly installed and used, it fulfils the requirements for edge protection on a flat roof EN13374 Class A (max. 10 degrees of inclination).

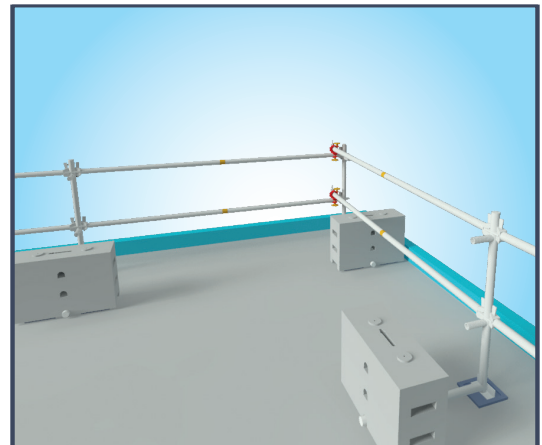
Double or single guardrails from Layher rolling towers and from Blitz/SpeedyScaf can be used as guardrails, or, if desired, aluminium or steel Allround ledgers (LW) up to 3.07 m. Allround ledgers and rolling tower guardrails can be combined.

ADVANTAGES COMPACT FLAT ROOF EDGE PROTECTION:

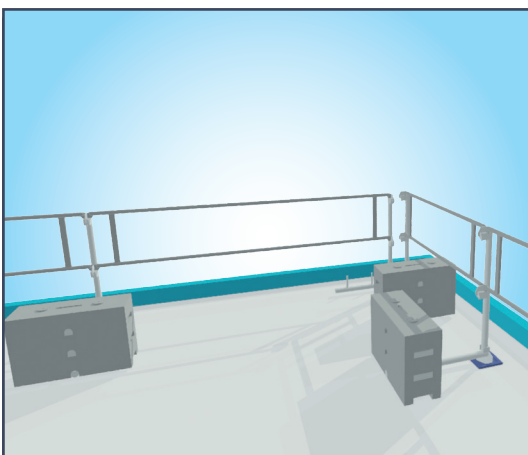
- ▶ Compact roof edge (only a 0.80 m strip of roof space).
- ▶ Quick and easy assembly, dimensionally stable and no readjustment.
- ▶ Existing Layher Allround aluminium or steel ledgers (LW), Layher Blitz/SpeedyScaf guardrails and Layher rolling tower guardrails can be used.



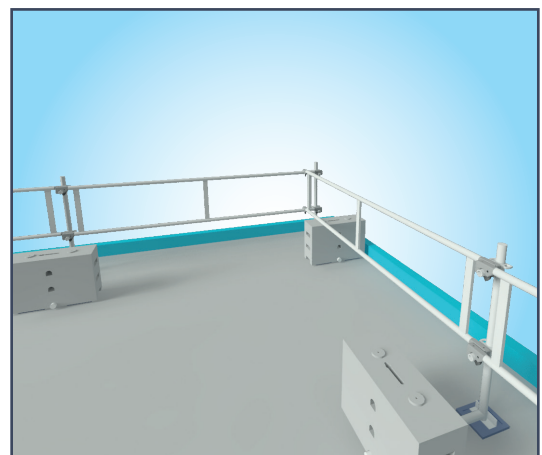
Compact flat roof edge protection assembled with rolling tower guardrails.



Compact flat roof edge protection assembled with Allround ledgers.



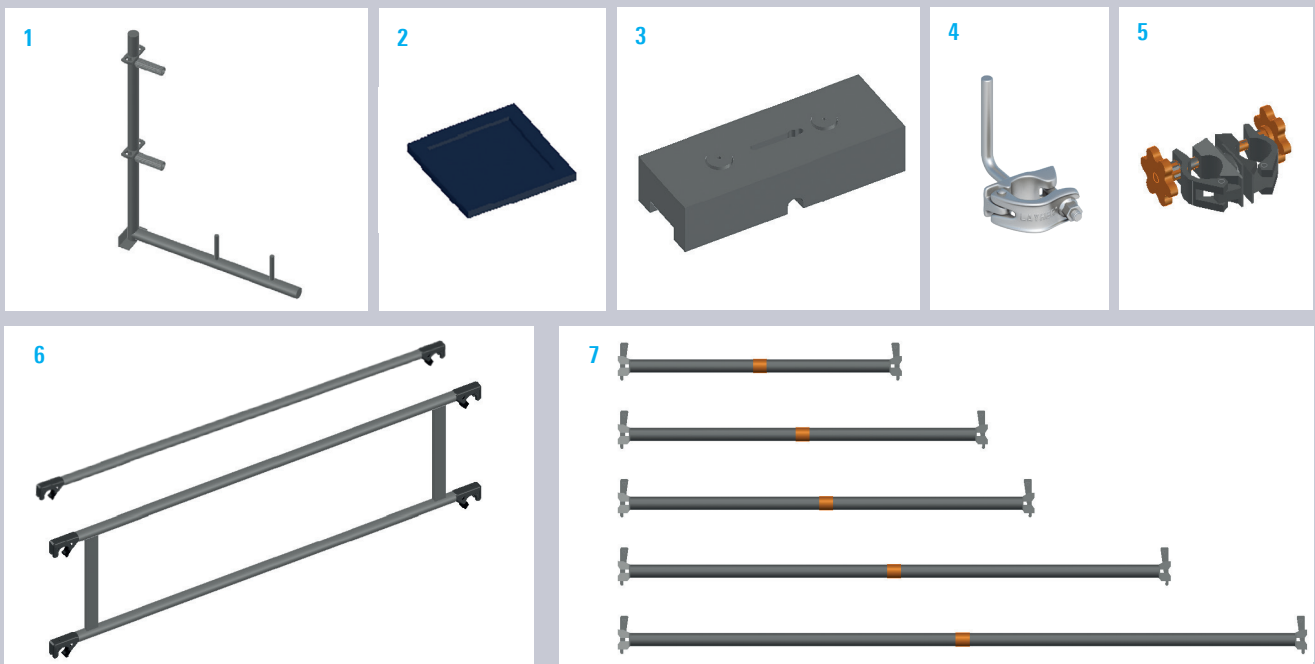
Compact flat roof edge protection assembled with Blitz SpeedyScaf double guardrails.



Compact flat roof edge protection assembled with rolling tower guardrails.



COMPONENTS: ROLLING TOWER AND ALLROUND



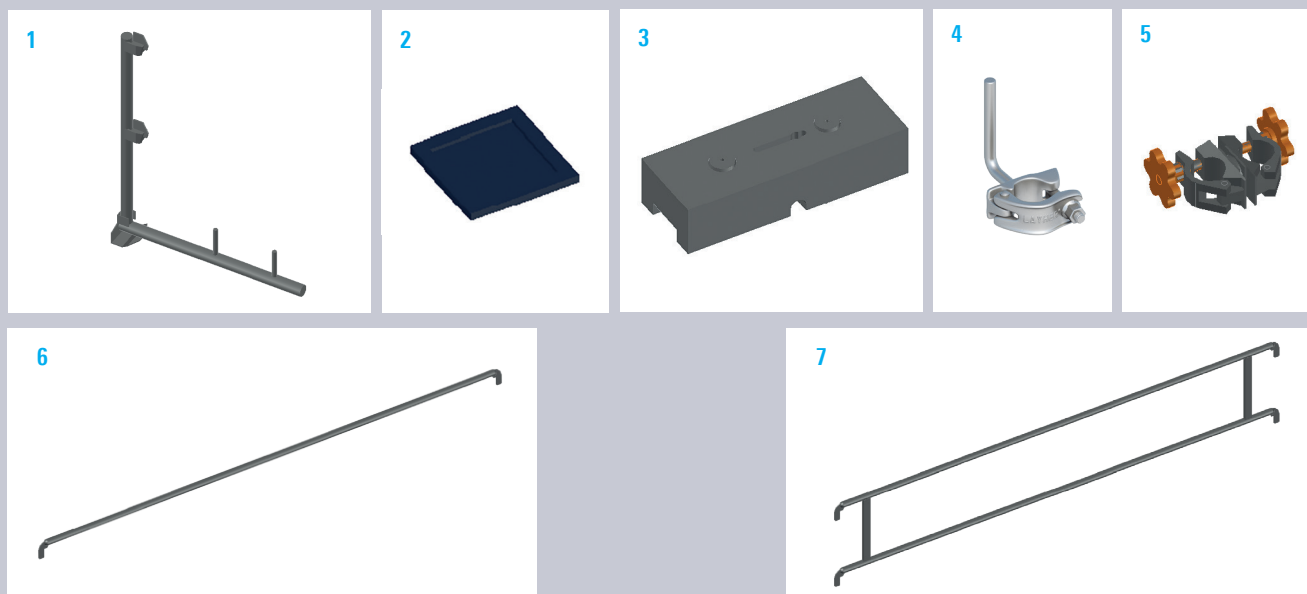
Pos.	Description	Dimensions L / H x W [m]	Weight approx. [kg]	Ref. No.
1	Baluster compact roof edge protection Allround Rolling Tower		2,8	9830/000
2	Rubber pad (black/blue)*		0,4	9810/013
3	Plastic ballast blocks		21,2	2666/060
4	Half-coupler with toe board pin		1,0	4708/022
FOR FITTING AREAS AND RIDGE TRANSITIONS:				
5	Swivel coupling with 2 swivel nuts		1,7	9800/004
WHEN USING LAYHER ROLLING TOWER SINGLE/DOUBLE GUARDRAILS:				
6	Single guardrail 1.80 m	1,80	2,3	1205/180
6	Single guardrail 2.85 m	2,85	3,6	1205/285
6	Double guardrail 1.80 m	1,80	5,8	1206/180
6	Double guardrail 2.85 m	2,85	8,0	1206/285
WHEN USING LAYHER ALLROUND LEDGERS AS GUARDRAILS:				
7	Allround ledger LW	1,09	4,0	2601/109
		1,40	5,0	2601/140
		1,57	5,5	2601/157
		2,07	7,0	2601/207
		2,57	8,7	2601/257
		3,07	10,1	2601/307
7	Allround ledger aluminium	1,09	2,8	3201/109
		1,40	3,7	3201/140
		1,57	4,0	3201/157
		2,07	4,5	3201/207
		2,57	4,9	3201/257
		3,07	5,5	3201/307

Stock article On request

*) Note: Always use a roof protection with the highest possible friction.

Prices on request.

COMPONENTS: BLITZ/SPEEDYSCAF



Pos.	Description	Dimensions L / H x W [m]	Weight approx. [kg]	Ref. No.
1	Baluster compact roof edge protection Blitz Speedyscaf		2,8	9830/002
2	Rubber pad (black/blue)*		0,4	9810/013
3	Plastic ballast blocks		21,2	2666/060
4	Half-coupler with toe board pin		1,0	4708/022
FOR FITTING AREAS AND RIDGE TRANSITIONS:				
5	Swivel coupling with 2 swivel nuts		1,7	9800/004
WHEN USING LAYHER BLITZ SPEEDYSCAF SINGLE/DOUBLE GUARDRAILS:				
6	Blitz/Speedyscaf single guardrail	1,09	2,0	1724/109
		1,57	2,9	1725/157
		2,07	3,8	1725/207
		2,57	4,7	1725/257
		3,07	5,6	1725/307
7	Blitz/Speedyscaf double guardrail	1,09	6,1	0701/177
		1,57	7,9	1728/157
		2,07	10,5	1728/207
		2,57	12,4	1728/257
		3,07	14,4	1728/307
7	Blitz/Speedyscaf double guardrail aluminium	1,57	3,5	1732/157
		2,07	4,6	1732/207
		2,57	5,8	1732/257
		3,07	6,7	1732/307

Stock article On request

*) Note: Always use a roof protection with the highest possible friction.

Prices on request.